

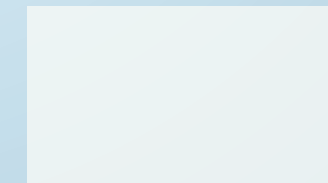


CONNECTOR MATING MATRIX

	SATA Express Host Cable Receptacle	SATA Express Device Cable Receptacle	SATA Express Host Receptacle	SATA Cable Receptacle	SFF-8639 Backplane Receptacle	SAS MultiLink Receptacle
SATA Express Host Plug						
SATA Express Device Plug					^a	^a
SATA Device Plug					^b	^b



= Mates & is Functional



= Does Not Mate

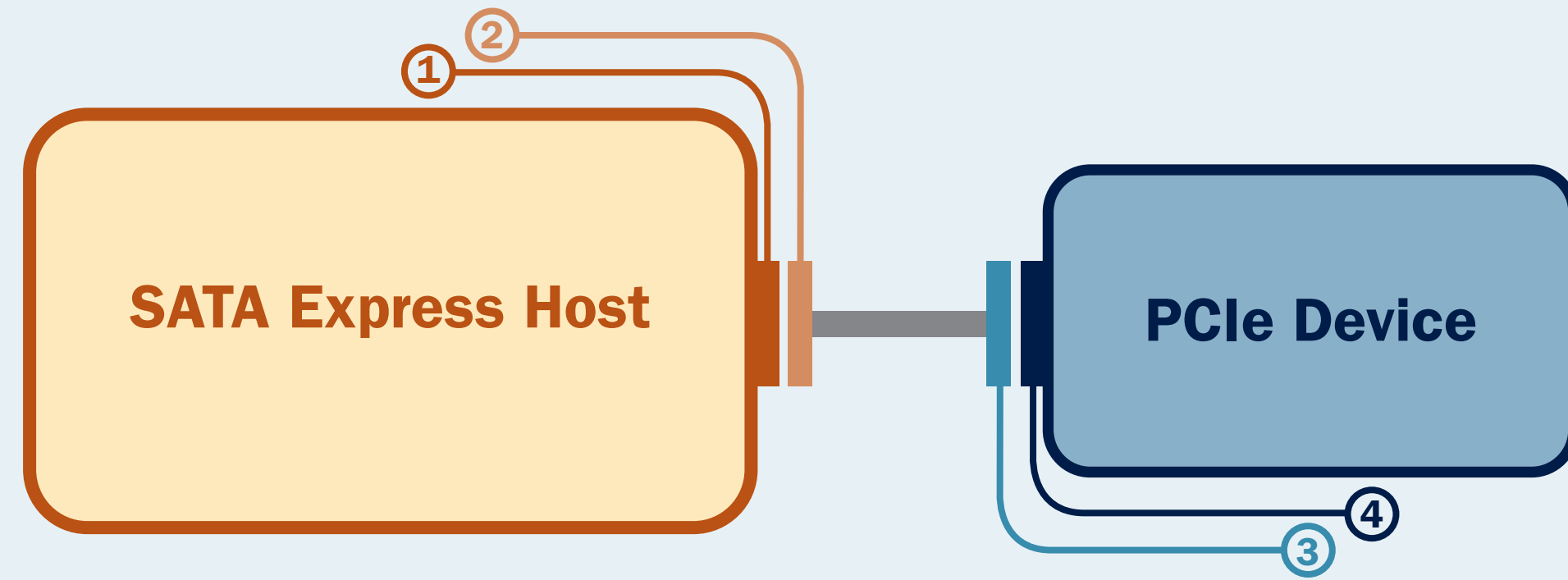
LEGEND

- a.** SATA Express Device Plug mates with SFF-8639 and SAS MultiLink connectors, but will be functional only if the host supports PCIe devices
- b.** SATA Device Plug mates with SFF-8639 and SAS MultiLink connectors, but will be functional only if the host supports SATA devices

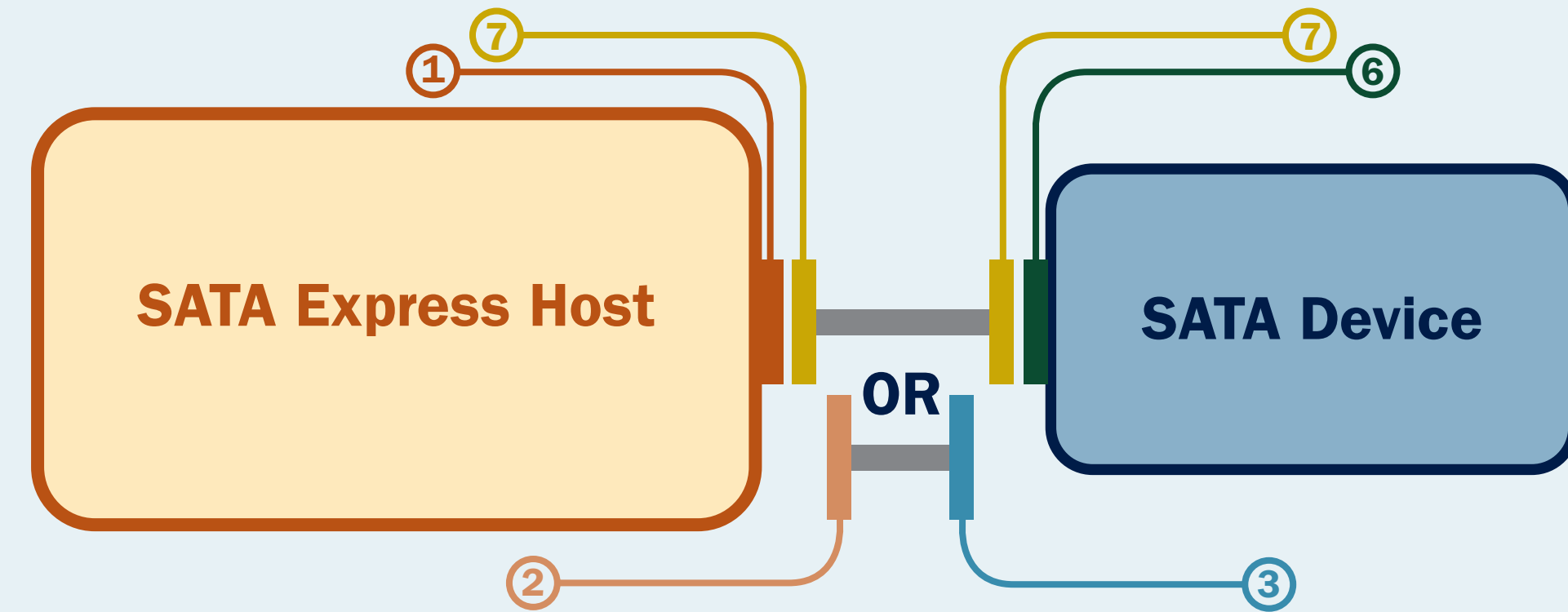
**SATA Express host supports PCIe and SATA devices*

SATA/PCIe CONNECTION CONFIGURATIONS

CABLED CONFIGURATION



CABLED CONFIGURATION



DIRECT CONNECT CONFIGURATION



DIRECT CONNECT CONFIGURATION



SATA EXPRESS CONNECTORS

- ① Host Plug
- ② Host Cable Receptacle
- ③ Device Cable Receptacle
- ④ Device Plug
- ⑤ Host Receptacle

SATA CONNECTORS

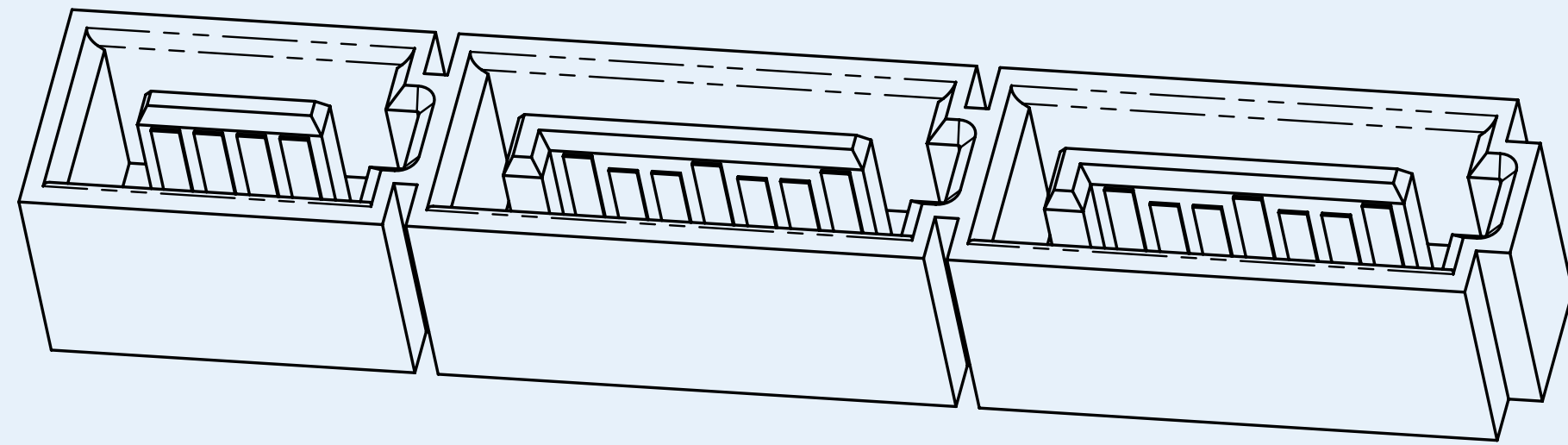
- ⑥ Device Plug
- ⑦ SATA Cable



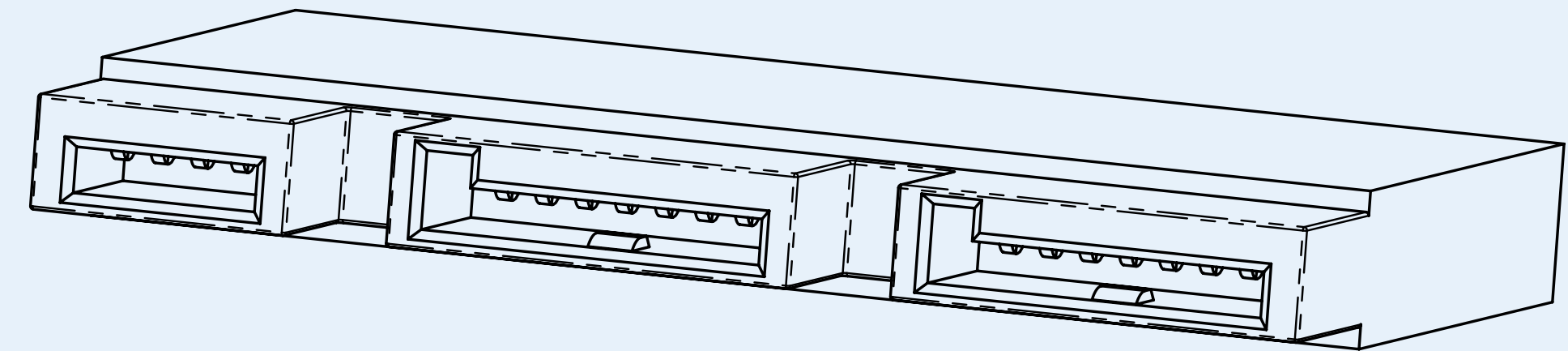
www.sata-io.org/technology/sataexpress.asp

SATA EXPRESS CONNECTORS

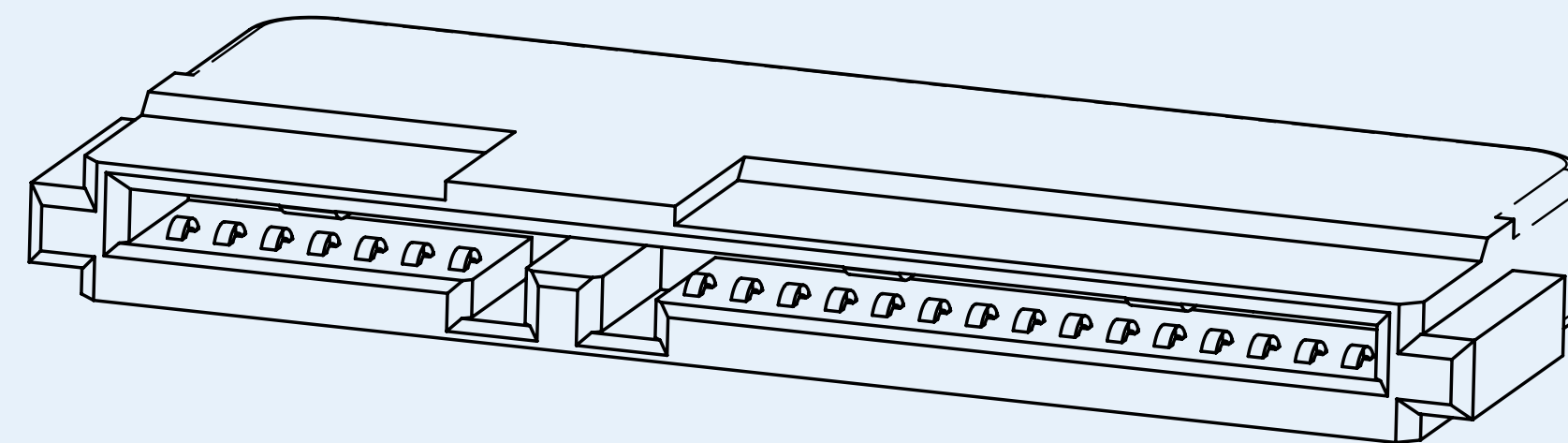
HOST PLUG (1)



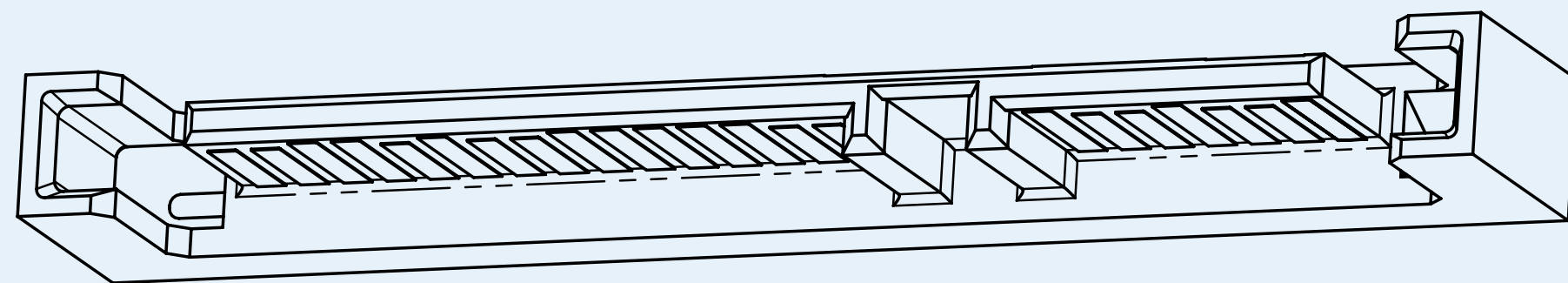
HOST CABLE RECEPTACLE (2)



DEVICE CABLE RECEPTACLE (3)



DEVICE PLUG (4)



HOST RECEPTACLE (5)

