

**Proposed  
Draft**

**Serial ATA  
International Organization**

**Version 0  
June 14, 2007**

---

**Serial ATA Revision 2.6 ECN # 018  
Title : Figure 69 Pin Location Correction**

This is an internal working document of the Serial ATA International Organization. As such, this is not a completed standard and has not been approved. The Serial ATA International Organization may modify the contents at any time. This document is made available for review and comment only.

Permission is granted to the Promoters, Contributors and Adopters of the Serial ATA International Organization to reproduce this document for the purposes of evolving the technical content for internal use only without further permission provided this notice is included. All other rights are reserved and may be covered by one or more Non Disclosure Agreements including the Serial ATA International Organization participant agreements. Any commercial or for-profit replication or republication is prohibited. Copyright © 2000-2007 Serial ATA International Organization. All rights reserved.

This Draft Specification is NOT the final version of the Specification and is subject to change without notice. A modified, final version of this Specification ("Final Specification") when approved by the Promoters will be made available for download at this Web Site: <http://www.serialata.org>.

THIS DRAFT SPECIFICATION IS PROVIDED "AS IS" WITH NO WARRANTIES WHATSOEVER, INCLUDING ANY WARRANTY OF MERCHANTABILITY, NON-INFRINGEMENT, FITNESS FOR ANY PARTICULAR PURPOSE OR ANY WARRANTY OTHERWISE ARISING OUT OF ANY PROPOSAL, SPECIFICATION, OR SAMPLE. Except for the right to download for internal review, no license, express or implied, by estoppel or otherwise, to any intellectual property rights is granted or intended hereunder.

THE PROMOTERS DISCLAIM ALL LIABILITY, INCLUDING LIABILITY FOR INFRINGEMENT OF ANY PROPRIETARY RIGHTS, RELATING TO USE OF INFORMATION IN THIS DRAFT SPECIFICATION. THE PROMOTERS DO NOT WARRANT OR REPRESENT THAT SUCH USE WILL NOT INFRINGE SUCH RIGHTS.

THIS DOCUMENT IS AN INTERMEDIATE DRAFT FOR COMMENT ONLY AND IS SUBJECT TO CHANGE WITHOUT NOTICE.

\* Other brands and names are the property of their respective owners.

Copyright © 2005-2007 Serial ATA International Organization. All rights reserved.



## **1 Introduction**

### **1.1 Problem Statement**

Figure 69 erroneously shows Pin 1 and P2 through Pin 6 locations. Does not agree with Figure 75.

### **1.2 Solution Summary**

The locations of the pins are incorrect. Figure 69 must change to correct it.

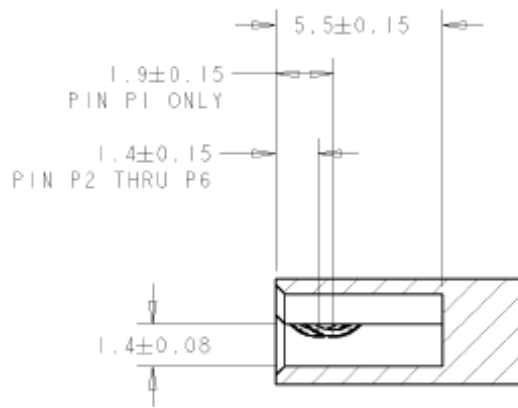
### **1.3 Background (optional)**

The incorrect locations will result in improper sequencing of contact mating for any connector built to them.

## 2 Technical Specification Changes

### 2.1 Figure 69 in Section 6.3.4.1.2 Slimline Power cable receptacle connector

Change Section A-A in Figure 69 to the following:



SECTION A - A

Note that the difference is in which contact is shown on top and the location of Pin P1 only contact was changed from  $1.4 \pm 0.25$  to  $1.9 \pm 0.15$  and the location of Pin P2 thru P6 was changed from  $1.9 \pm 0.25$  to  $1.4 \pm 0.15$ .