

**Proposed
Draft**

**Serial ATA
International Organization**

**Version 2
May 13, 2015**

**Serial ATA Revision 3.2 ECN084
Title : Slimline Figure Move**

This is an internal working document of the Serial ATA International Organization. As such, this is not a completed standard and has not been approved. The Serial ATA International Organization may modify the contents at any time. This document is made available for review and comment only.

Permission is granted to the Promoters, Contributors and Adopters of the Serial ATA International Organization to reproduce this document for the purposes of evolving the technical content for internal use only without further permission provided this notice is included. All other rights are reserved and may be covered by one or more Non Disclosure Agreements including the Serial ATA International Organization participant agreements. Any commercial or for-profit replication or republication is prohibited. Copyright © 2000 to 2015 Serial ATA International Organization. All rights reserved.

This Draft Specification is NOT the final version of the Specification and is subject to change without notice. A modified, final version of this Specification ("Final Specification") when approved by the Promoters will be made available for download at this Web Site: <http://www.sata-io.org>.

THIS DRAFT SPECIFICATION IS PROVIDED "AS IS" WITH NO WARRANTIES WHATSOEVER, INCLUDING ANY WARRANTY OF MERCHANTABILITY, NON-INFRINGEMENT, FITNESS FOR ANY PARTICULAR PURPOSE OR ANY WARRANTY OTHERWISE ARISING OUT OF ANY PROPOSAL, SPECIFICATION, OR SAMPLE. Except for the right to download for internal review, no license, express or implied, by estoppel or otherwise, to any intellectual property rights is granted or intended hereunder.

THE PROMOTERS DISCLAIM ALL LIABILITY, INCLUDING LIABILITY FOR INFRINGEMENT OF ANY PROPRIETARY RIGHTS, RELATING TO USE OF INFORMATION IN THIS DRAFT SPECIFICATION. THE PROMOTERS DO NOT WARRANT OR REPRESENT THAT SUCH USE WILL NOT INFRINGE SUCH RIGHTS.

THIS DOCUMENT IS AN INTERMEDIATE DRAFT FOR COMMENT ONLY AND IS SUBJECT TO CHANGE WITHOUT NOTICE.

* Other brands and names are the property of their respective owners.

Copyright © 2000 to 2015 Serial ATA International Organization. All rights reserved.

1 Introduction

1.1 Problem Statement

The cross-section A figures for the Slimline connectors have become separated from the drawings that call out the cross-section and placed in standalone otherwise empty sections. No text is provided to set context for these figures.

1.2 Solution Summary

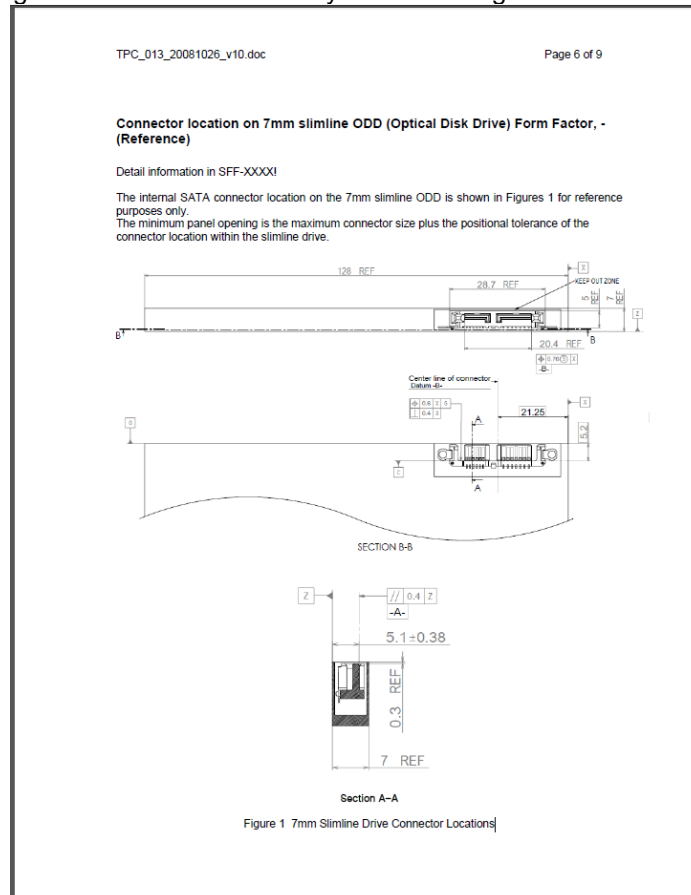
Move figures and placed them inside the figure that calls out the cross-section A. Delete the unnecessary sections.

1.3 Background (optional)

SATA Revision 2.6 TPC013 called Connector for 7mm slimline drive on page 6 added Figure 1. This figure includes in a single figure what was incorporated into SATA Revision 3.0 as Figure 59 and Figure 61. They were somehow separated by Figure 60 9.5 mm/12.7 mm Slimline Drive Connector Locations.

SATA Revision 3.2 added additional subsections in Section 6.4.4 in order to clean up a hanging paragraph issue. Additional material was inserted further separating the figures that should have been together.

During preparation for SATA Revision 3.3 a review of all figures to confirm they are referenced in the text led to finding section 6.4.4.3.4 that only contained Figure 66.



2 Technical Specification Changes

2.1 <Title of section being changed>

[editor note: Existing text is black. New text is marked as underlined in blue color. Material to be deleted ~~is red with strikethrough markings.~~]

2.1.1.1 <6.4.4.3> Keep out zones

2.1.1.1.1 <6.4.4.3.1> 7.0 mm Slimline drive

The minimum panel opening is the maximum connector size plus the positional tolerance of the connector location within the Slimline device.

The internal SATA connector location on the 7.0 mm Slimline optical disk drive (ODD) is shown in Figure 63 for reference purposes only. Additional details may be found in SFF-8553.

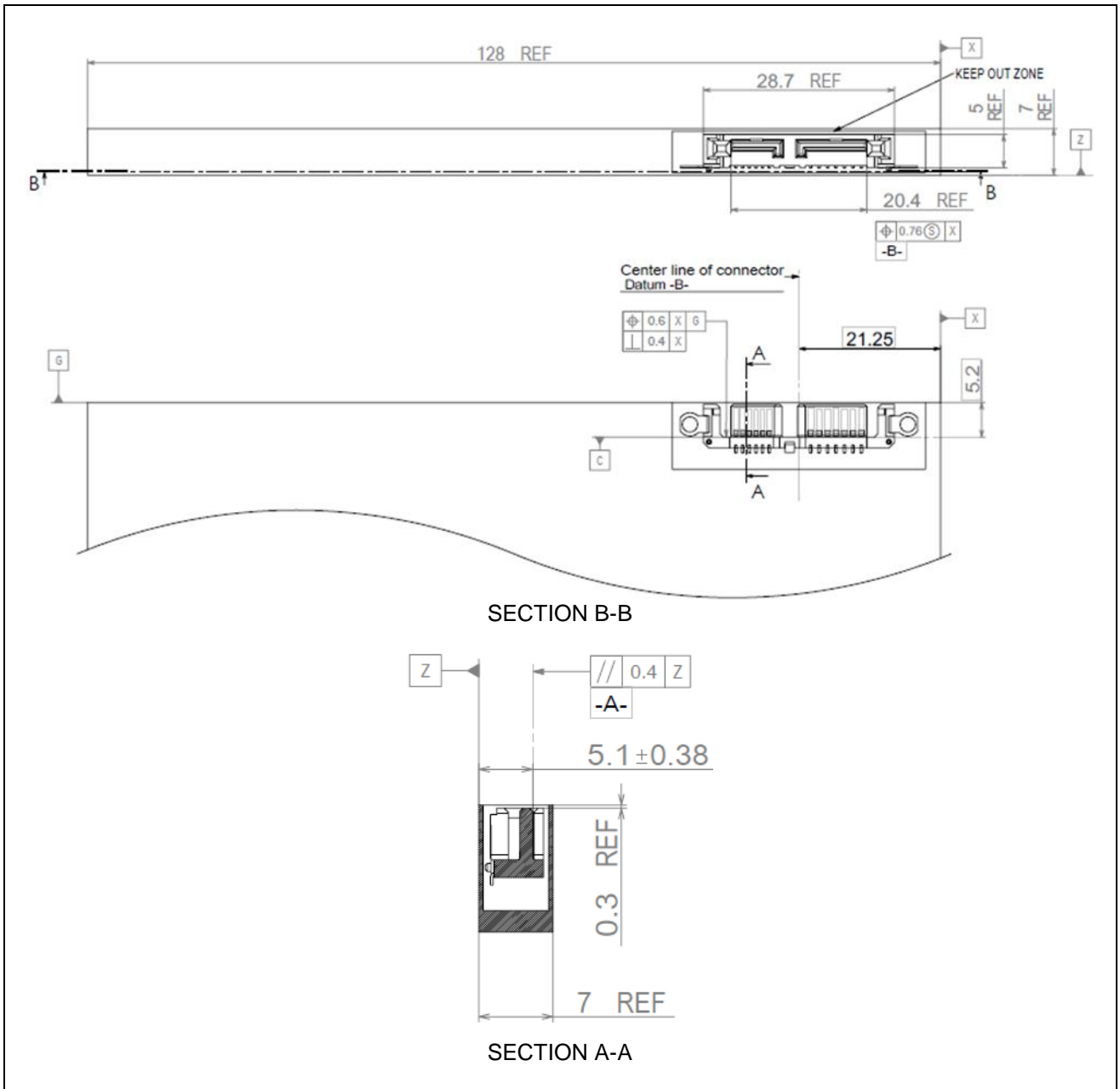


Figure 63 – 7.0 mm Slimline drive connector locations [\(informative\)](#)

Editor's note: Insert Figure 66 within Figure 63. Delete the entire section 6.4.4.3.4 including section title, figure, and figure title.

2.1.1.1.2 <6.4.4.3.2> 8.5 mm Slimline drive

The internal SATA connector location on the 8.5 mm Slimline ODD is shown in Figure 64 for reference purposes only. Additional details may be found in SFF-8553.

Editor's note: Insert Figure 67 within Figure 64. Delete the entire section 6.4.4.3.5 including section title, figure, and figure title.

2.1.1.1.3 <6.4.4.3.3> 9.5 mm and 12.7 mm Slimline drive

The internal SATA connector location on the 9.5 mm and 12.7 mm Slimline ODD is shown in Figure 65 for reference purposes only. Additional details may be found in SFF-98553.

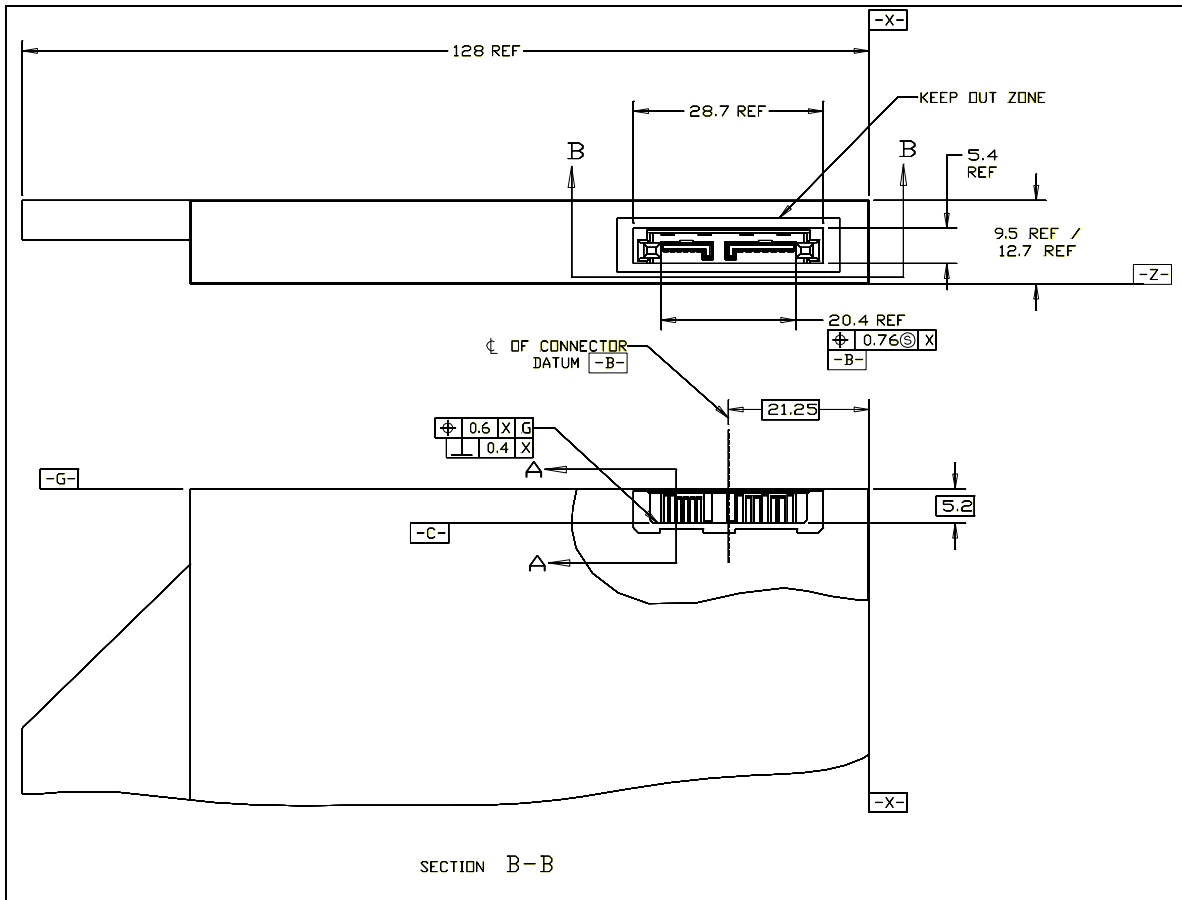


Figure 65 – 9.5 mm/12.7 mm Slimline drive connector locations (informative)

[Figure 65 cross-section A for the 9.5 mm Slimline drive is shown in Figure 68.](#) [Figure 65 cross-section A for the 12.7 mm Slimline drive is shown in Figure 69.](#)

2.1.1.1.4 ←6.4.4.3.4> 7.0 mm Slimline Devices

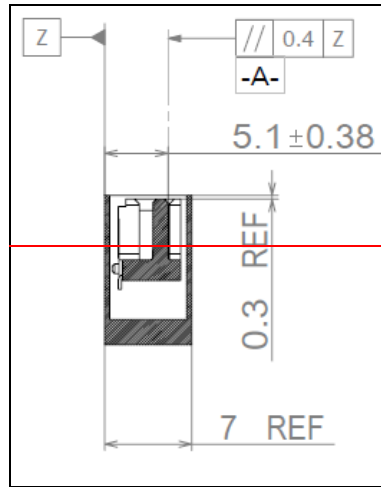


Figure 66 – 7.0 mm Slimline drive connector location (section A-A)

2.1.1.1.5 ←6.4.4.3.5> 8.5 mm Slimline Devices

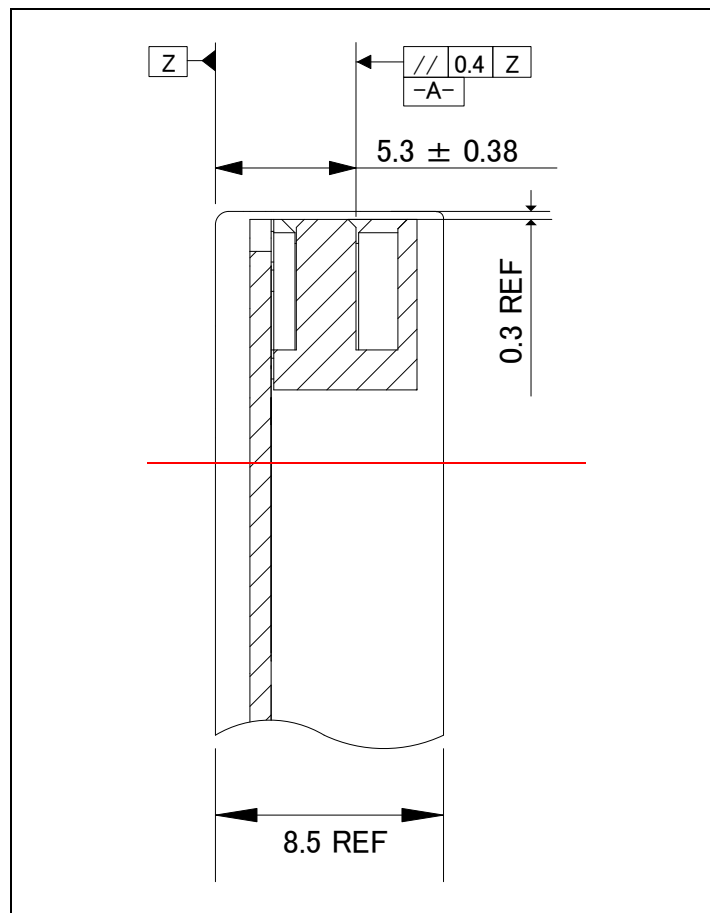


Figure 67 – 8.5 mm Slimline drive connector location (section A-A)

~~2.1.1.1.6~~ 6.4.4.3.6 9.5 mm Slimline Devices

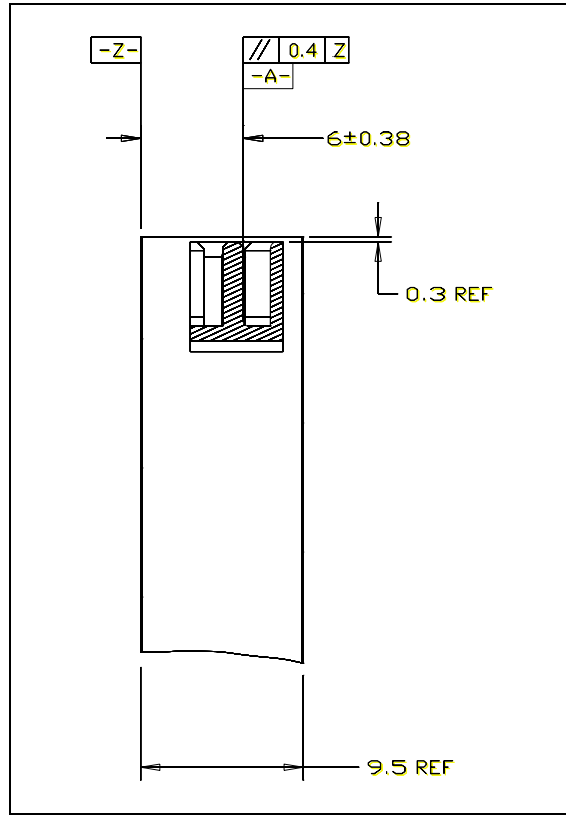


Figure 68 – 9.5 mm Slimline drive connector location (section A-A) (informative)

Editor's note: By deleting section title 6.4.4.3.6 this figure moves into section 6.4.4.3.3.

~~2.1.1.1.7~~ 6.4.4.3.7 12.7 mm Slimline Devices

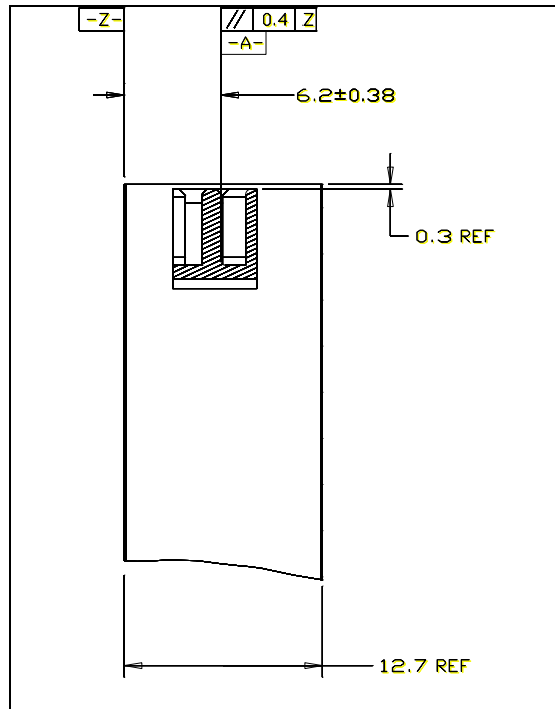


Figure 69 – 12.7 mm Slimline drive connector location (section A-A) (informative)

Editor's note: By deleting section title 6.4.4.3.7 this figure moves into section 6.4.4.3.3.