

**Proposed  
Draft**

**Serial ATA  
International Organization**

Version 2  
June 26, 2013

---

**TPR054v2\_SATA31\_SATA\_8\_5\_mm\_Slimline\_OD  
D\_Connector\_Location**

**Title : SATA 8.5 mm Slimline ODD Connector Location**

This is an internal working document of the Serial ATA International Organization. As such, this is not a completed standard and has not been approved. The Serial ATA International Organization may modify the contents at any time. This document is made available for review and comment only.

Permission is granted to the Promoters, Contributors and Adopters of the Serial ATA International Organization to reproduce this document for the purposes of evolving the technical content for internal use only without further permission provided this notice is included. All other rights are reserved and may be covered by one or more Non Disclosure Agreements including the Serial ATA International Organization participant agreements. Any commercial or for-profit replication or republication is prohibited. Copyright © 2000 to 2013 Serial ATA International Organization. All rights reserved.

This Draft Specification is NOT the final version of the Specification and is subject to change without notice. A modified, final version of this Specification ("Final Specification") when approved by the Promoters will be made available for download at this Web Site: <http://www.sata-io.org>.

THIS DRAFT SPECIFICATION IS PROVIDED "AS IS" WITH NO WARRANTIES WHATSOEVER, INCLUDING ANY WARRANTY OF MERCHANTABILITY, NON-INFRINGEMENT, FITNESS FOR ANY PARTICULAR PURPOSE OR ANY WARRANTY OTHERWISE ARISING OUT OF ANY PROPOSAL, SPECIFICATION, OR SAMPLE. Except for the right to download for internal review, no license, express or implied, by estoppel or otherwise, to any intellectual property rights is granted or intended hereunder.

THE PROMOTERS DISCLAIM ALL LIABILITY, INCLUDING LIABILITY FOR INFRINGEMENT OF ANY PROPRIETARY RIGHTS, RELATING TO USE OF INFORMATION IN THIS DRAFT SPECIFICATION. THE PROMOTERS DO NOT WARRANT OR REPRESENT THAT SUCH USE WILL NOT INFRINGE SUCH RIGHTS.

THIS DOCUMENT IS AN INTERMEDIATE DRAFT FOR COMMENT ONLY AND IS SUBJECT TO CHANGE WITHOUT NOTICE.

\* Other brands and names are the property of their respective owners.

Copyright © 2000 to 2013 Serial ATA International Organization. All rights reserved.

## Author Information

Author Name	Company	Email address
Hiro Haraguchi	Panasonic	Haraguchi.hiroshi@jp.panasonic.com

## Workgroup Chair Information

Workgroup (Phy, Digital, etc...)	Chairperson Name	Email address
CabCon	Frank Chu	Frank.Chu@hgst.com

## Document History

Version	Date	Comments
0	May 13, 2013	Initial release.
1	May 15, 2013	Member review
2	June 26, 2013	Ratified

## **Introduction**

The success of the Slimline ODD product with 7.0 mm, 9.5 mm and 12.7mm thickness has resulted in market opportunity to include a 8.5 mm version, expanding the Slimline ODD form factor offerings for additional products. This Technical Proposal adds the 8.5 mm Slimline ODD connector location to Serial ATA Revision 3.1.

## 1 Technical Specification Changes

### 6.3 Internal Slimline cables and connectors

[**editor note:** The changes are marked in **blue** or **red** (and underline/strikethrough) and are to be incorporated in section 6.3. 8.5 mm is added to the category of Slimline ODD, and the connector location of 8.5 mm ODD is shown in Fig aa and Fig bb.]

The definition supports the following capabilities:

- Support for 12.7 mm, 9.5 mm, **8.5 mm**, and 7.0 mm Slimline devices

#### 6.3.1 Usage Models

Internal Fixed Bay requirements:

- Support for 12.7, 9.5, **8.5** and 7.0 mm Slimline devices

Removable Bay requirements:

- Support for 12.7 mm, 9.5 mm, **8.5 mm** and 7.0 mm Slimline devices

Internal Cable requirements:

- Support for 12.7 mm, 9.5 mm, **8.5 mm** and 7.0 mm Slimline devices

#### 6.3.2 General description

The Slimline connector is designed to enable connection of a “Slimline” form factor drive to the Serial ATA interface. The connector design accommodates a latching option for **8.5 mm**, 9.5 mm and 12.7 mm slimline devices.

##### 6.3.3.1 Location

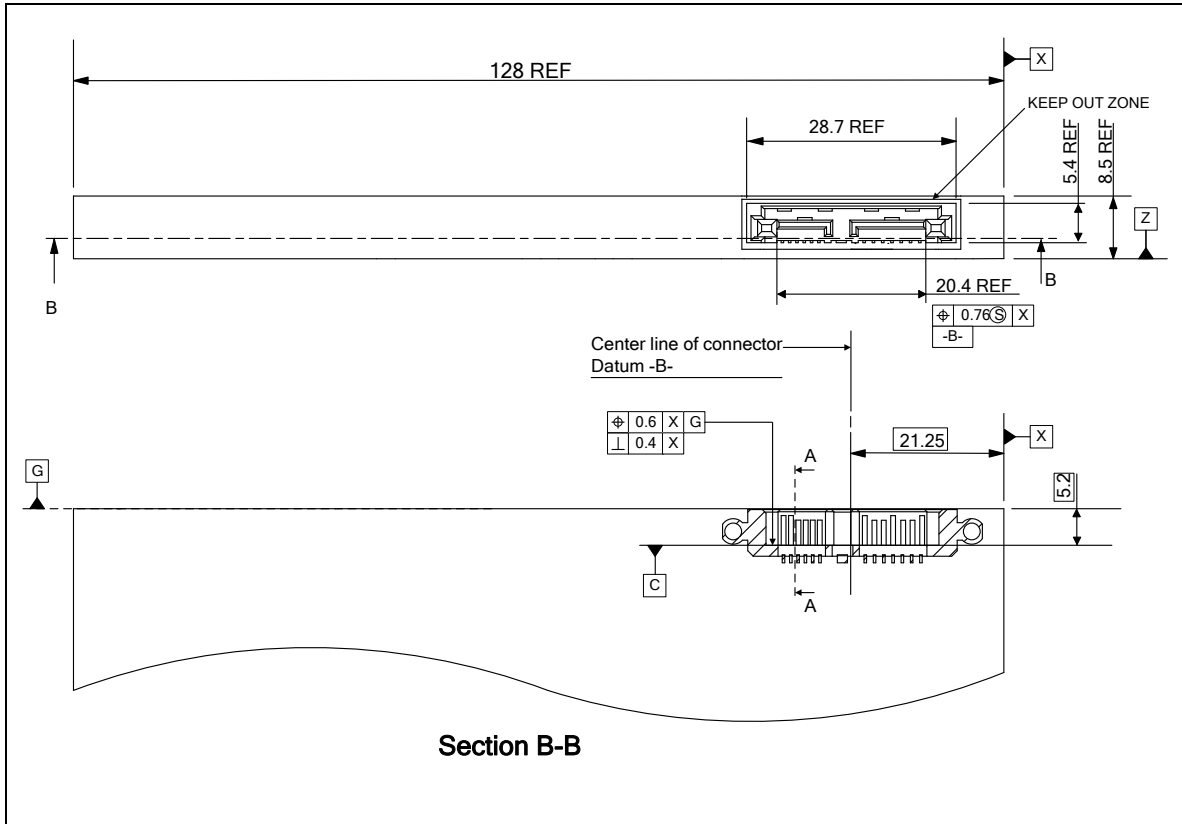
Table 12 shows the connector location references for the 7.0 mm, **8.5 mm**, 9.5 mm and 12.7 mm slimline devices.

**Table 12 – Slimline Connector Location References**

<b>Slimline Drive</b>	<b>Horizontal</b>	<b>Vertical</b>	<b>Depth</b>
7.0 mm Slimline	Drive left edge to connector CL	Drive bottom edge to connector tongue top edge	Drive back edge to connector back wall
<b>8.5 mm Slimline</b>	<b>Drive left edge to connector CL</b>	<b>Drive bottom edge to connector tongue top edge</b>	<b>Drive back edge to connector back wall</b>
9.5 mm Slimline	Drive left edge to connector CL	Drive bottom edge to connector tongue top edge	Drive back edge to connector back wall
12.7 mm Slimline	Drive left edge to connector CL	Drive bottom edge to connector tongue top edge	Drive back edge to connector back wall

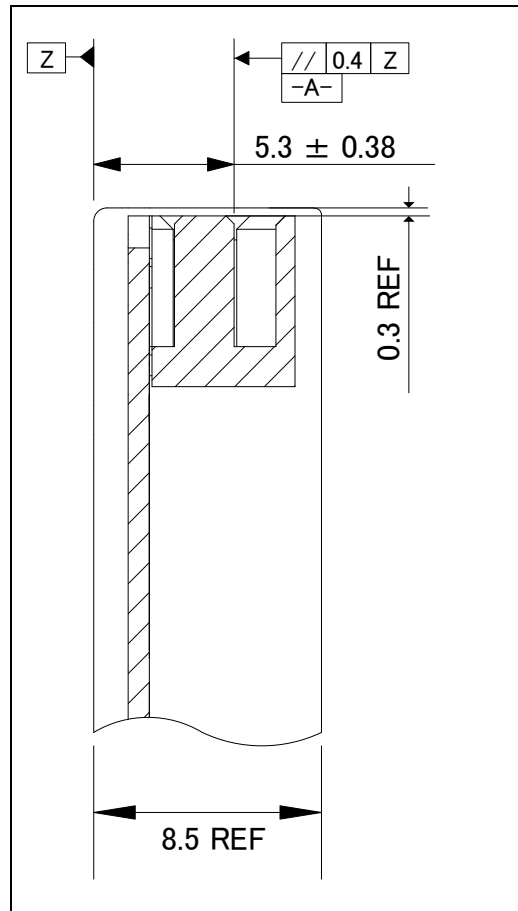
### 6.3.3.2 Keep out zones

[The internal SATA connector location on the 8.5 mm slimline ODD is shown in Figure aa for reference purposes only. Additional details may be found in SFF-8553.](#)



[Figure aa – 8.5 mm slimline drive connector locations \(informative\)](#)

**6.3.3.2.3 8.5 mm Slimline Drives**



**Figure bb – 8.5 mm Slimline drive connector location (Section A-A) (informative)**

1.1.1.1 [Editor's note: 6.3.4.2] **8.5 mm**, 9.5 mm, and 12.7 mm Slimline device plug connector